

HP DesignJet 455CA, 450C and 430 Printers Data Sheet

*Affordable large-format
printing for individuals and
small businesses*

HP DesignJet 455CA Printer

- Personal color printer with software RIP for Macintosh graphics applications
- C6081A (36 inch) \$4,195*
- C6080A (24 inch) \$3,195*

HP DesignJet 450C Printer

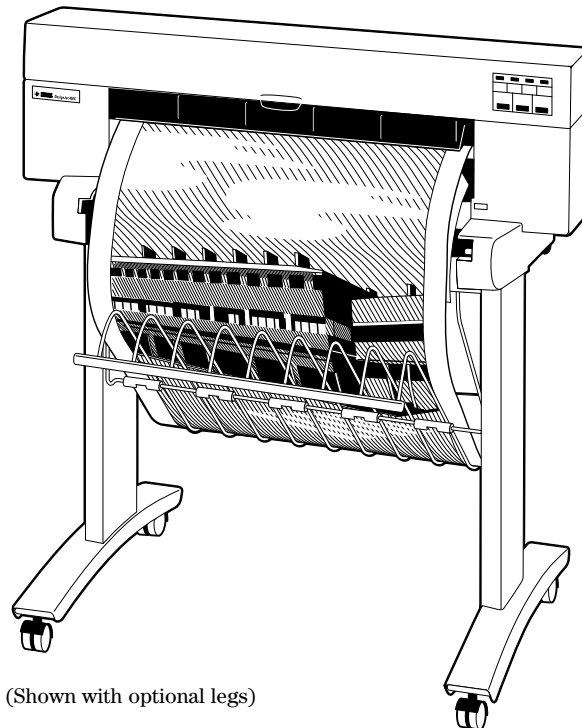
- Personal color printer
- C4716A (36 inch) \$3,495**
- C4715A (24 inch) \$2,395**

HP DesignJet 430 Printer

- Personal black-only printer
- C4714A (36 inch) \$2,995**
- C4713A (24 inch) \$1,995**

Highlights

- Ideal for line drawings, presentations, signs, and comps, providing maximum flexibility for all kinds of jobs
- Excellent line quality and near-photo-quality images with 600-dpi-addressable black and 300-dpi color resolution
- Fast enough to give you quick turnaround and to accommodate deadline workloads; prints 2-by-3-foot check plots in under 2 minutes, final-quality line drawings in about 4 minutes, and images in about 18 minutes
- Flexible enough to fit into any office with tabletop design and optional legs kit
- Convenient and easy to use with features such as optional roll feed with integrated automatic cutter, easy single-sheet loading, and simple front panel
- Accepts a wide variety of media to handle check plots, final output, presentations, overlays, and archiving
- Custom HP-developed AutoCAD™ and Microsoft® Windows® drivers take full advantage of printer features
- HP ZoomSmart scaling technology for easy large-format printing from any Windows application
- Genuine HP CAD languages—the industry standards—for compatibility with virtually all major applications
- Traditional HP quality and reliability for consistent, dependable performance—backed by a one-year warranty with free onsite service
- Optional color upgrade for black-only models
- HP DesignJet 455CA printer includes a software PostScript emulation for Macintosh graphics applications, plus roll feed



(Shown with optional legs)

* U.S. list price not including optional legs

** U.S. list price not including optional roll feed and legs

HP DesignJet 455CA, 450C and 430 Printers

Specifications

Print Technology	Color or black-only thermal inkjet
Performance (2 × 3 ft)	Final-quality lines in about 4 minutes; final-quality color images in about 18 minutes
Maximum Resolution	Black: Addressable 600 dpi; Color: 300 dpi
Media Types	Bond, coated and glossy papers and films, vellum, and clear and matte film for black and color; translucent bond for black-only
Media Sizes 36-inch models 24-inch models Maximum length	Rolls: 36- and 24-in wide; Sheets: 8.3-in to 36-in wide Rolls: 24-in wide; Sheets: 8.3-in to 24-in wide Rolls: 150 ft; Sheets 64 in
Margins	Leading and trailing edges: 0.67; Sides: 0.20 in
Media Handling HP DesignJet 455CA HP DesignJet 450C and 430	Sheet and roll feed, automatic cutter, output bin Sheet feed, optional roll feed with automatic cutter
Memory	4-MB RAM standard/36-MB RAM maximum
Languages, Standard HP DesignJet 455CA HP DesignJet 450C and 430	PostScript Level 2 via software RIP, HP-GL/2, HP-GL, HP RTL HP-GL/2, HP-GL, HP RTL
Drivers AutoCAD Windows	R14: Windows 95, NT; R12, 13: DOS, Windows 95, 3.11, 3.1, NT 3.51, 4.0; R10, 11: DOS Windows 95, 3.11, 3.1, NT 3.51, 4.0
Interfaces, Standard HP DesignJet 455CA, 450C, 430 HP DesignJet 455CA only	IEEE-1284 compatible Centronics parallel, RS-232-C serial Ethernet, LocalTalk
Interfaces, Optional	HP JetDirect EX external network interface cards
Auto I/O Switching	Yes
Warranty	One year with free onsite service

Physical Characteristics

Width × Depth × Height / Weight* HP DesignJet 455CA	36-inch models 52 × 9 × 13 in / 75 lbs 24-inch models 41 × 9 × 13 in / 62 lbs
HP DesignJet 450C and 430	36-inch models 52 × 9 × 13 in / 70 lbs 24-inch models 41 × 9 × 13 in / 57 lbs
Shipping Dimensions / Weight* HP DesignJet 455CA	36-inch models 61 × 21 × 26 in / 130 lbs 24-inch models 49 × 21 × 26 in / 110 lbs
HP DesignJet 450C and 430	36-inch models 61 × 21 × 20 in / 123 lbs 24-inch models 49 × 21 × 20 in / 103 lbs

Operating Environment

Temperature	Operating, Optimal 59° to 95° F; Storage -40° to 158° F
Operating Relative Humidity	20% to 80%
Power Requirements	Source 100-240 V AC ±10%; Frequency 50-60 Hz
Power Consumption	140 watts maximum
Acoustics	(Per ISO DP 7779 standard) Printing Idle Sound Pressure Level** 50 dB (A) <20 dB (A) Sound Power Level 6.7 Bels (A) <3.6 Bels (A)

Product Certifications

Safety	UL listed, CSA certified, NEMKO approved, NOM certified 950 et al, CCIB certified
Electromagnetic Interface	FCC and RRL certified. VCCI Registered. Compliant with EU EMC directive, Canada DOC and Australia/NZ requirements. Class B product (Class A when connected to LANs)
Telecom	General approved NS/G/1234/5/100003

Ordering Information

Description	HP P/N
HP DesignJet 455CA 36-inch model	C6081A
24-inch model	C6080A
HP DesignJet 450C 36-inch model	C4716A
24-inch model	C4715A
HP DesignJet 430 36-inch model	C4714A
24-inch model	C4713A
All HP DesignJet 400 Series printers come with User's Guide and Quick Reference, software application notes, drivers, paper, and print cartridges.	
Accessories	HP P/N
Legs Kit	
36-inch model	C6070A
24-inch model	C6069A
Roll feed	
36-inch model	C4719A
24-inch model	C4717A
Color Upgrade Kit	C4718A
HP Print Cartridges	
Black	51640A
Cyan	51644C
Yellow	51644Y
Magenta	51644M
SIMM Memory Upgrades	
4-MB	C3132A
8-MB	C3133A
16-MB	C3146A
32-MB	D3578A
Roll feed Spindle Assembly	
36-inch model	C6239A
24-inch model	C6238A
HP JetDirect EX External Print Servers	
Ethernet/1-parallel port	J2591A
Ethernet/LocalTalk	J2593A
Token Ring/3-port	J2594A

AutoCAD is a U.S. trademark of Autodesk, Inc. Microsoft and Windows are registered trademarks of Microsoft Corporation in the United States.

Technical information in this document is subject to change without notice. As an ENERGY STARSM Partner, Hewlett-Packard Company has determined that this product meets Energy StarSM guidelines for energy efficiency.

HP DESIGNJET
HELPING
the WORLD
make a



© Hewlett-Packard Co. 1997
Printed in the USA 9/97
5966-0253EUS

** Typical emissions at 1-meter bystander position

* Does not include legs kit